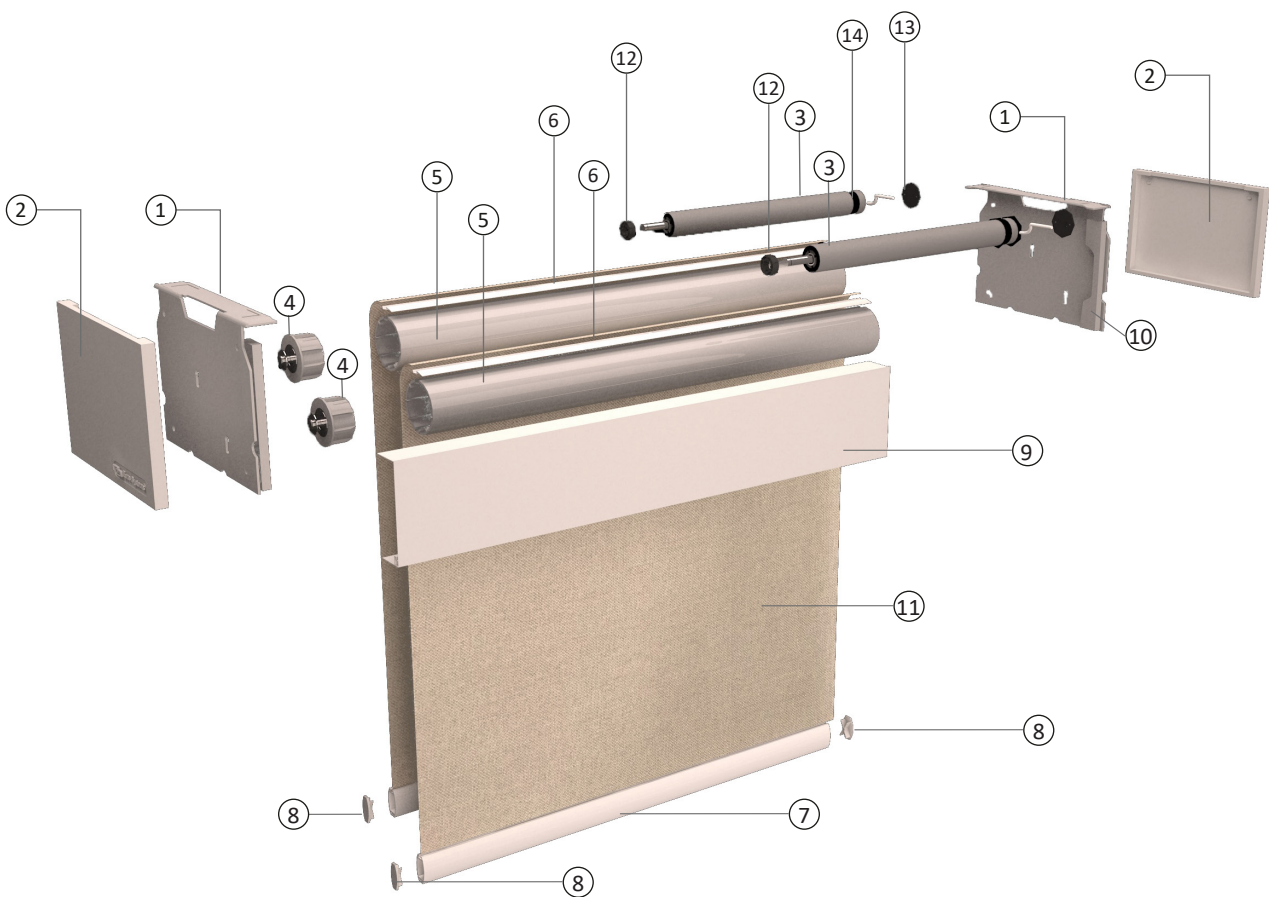


Euro E-100 Double Shade

Double Shade motorized roller shade system

Key Features :

- Heavy duty VRS 120 VAC or SMI 120 VAC / 24 VDC motor installed within the roller Shade tube
- Double Shade with single brackets to install both sunscreen & blackout Shades in a single window.
- Up to 20 m² Shade with a single motor system
- Built in auto stop mechanism for the upper and lower limit setting
- Robust anti deflection duty 1.85 inch diameter tube
- Aesthetic end caps
- Aesthetic aluminum fascia is also available
- Face, top or wall fixing options



1. Mounting brackets
2. Bracket cover
3. Motor
4. End plug

5. Tube
6. Mounting spline
7. Hem bar
8. End cap hem bar

9. Optional fascia
10. Fascia support
11. Fabric
12. Shaft adapter

13. Crown wheel
14. Motor plate