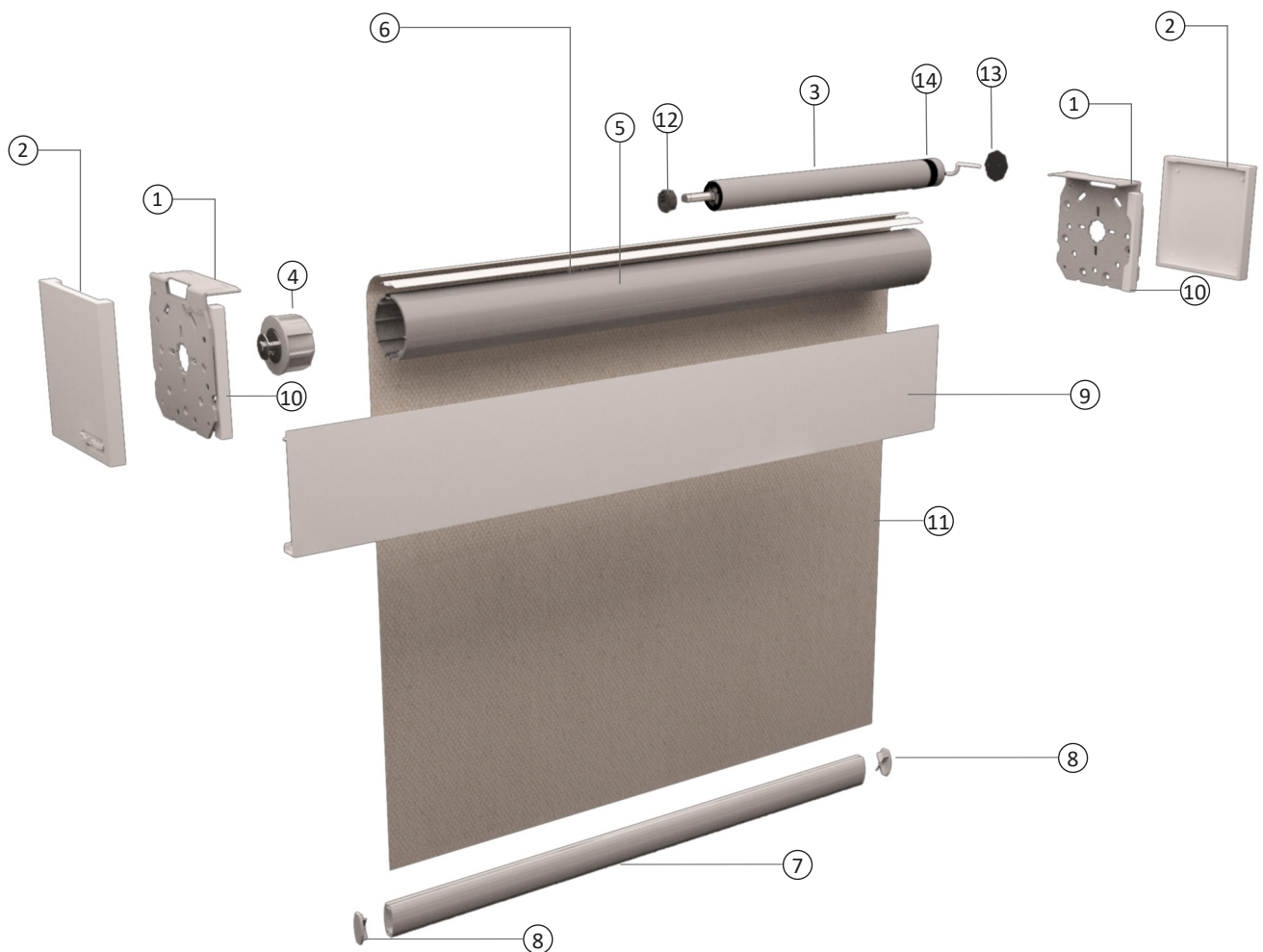


Euro E-100

Motorized roller shade system

Key Features :

- Heavy duty VRS 120 VAC or SMI 120 VAC/24 VDC motor installed within the roller Shade tube
- Built in auto stop mechanism for upper and lower limit setting
- Robust anti-deflection duty 1.85 inch diameter tube
- Aesthetic end caps
- Aesthetic aluminum fascia available as option
- Face, top or wall fixing options



- | | | | |
|----------------------|--------------------|--------------------|-----------------|
| 1. Mounting brackets | 5. Tube | 9. Optional fascia | 13. Crown wheel |
| 2. Bracket cover | 6. Mounting spline | 10. Fascia support | 14. Motor plate |
| 3. Motor | 7. Hem bar | 11. Fabric | |
| 4. End plug | 8. End cap hem bar | 12. Shaft adapter | |