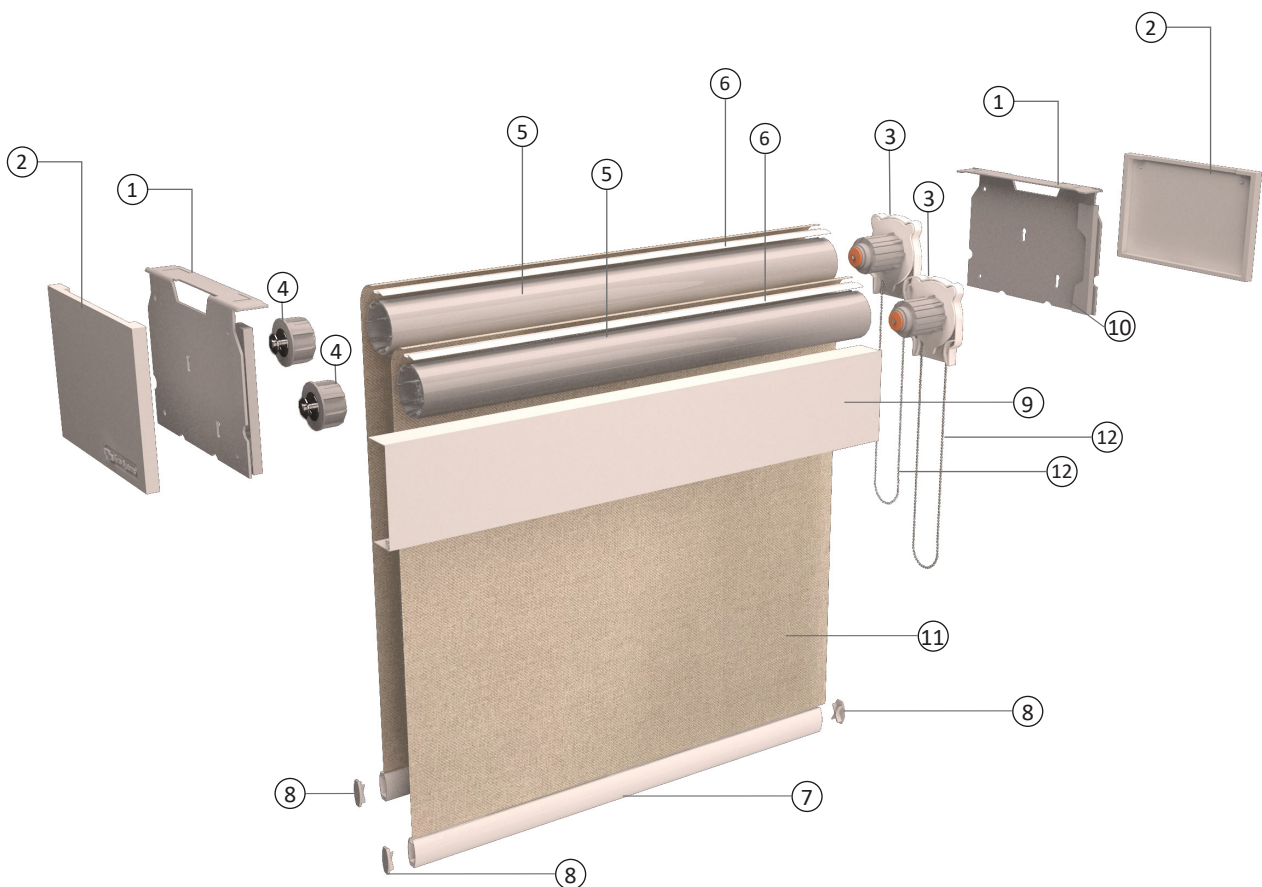


Salire® S-100 Double Shade

Double Shade roller system

Key Features :

- 4:1 ratio chain mechanism for easy operation on large Shades
- Double Shade with single bracket system designed to install both sunscreen & blackout Shades
- Built in auto stop mechanism for upper and lower limit setting
- Robust anti-deflection 1.85 inch diameter tube
- Aesthetic end caps
- Aesthetic aluminum fascia available as an option
- Face, top or wall fixing options
- Additional weighting by steel profile is possible (Only with exposed bottom bar)



1. Mounting brackets

4. End plug

7. Hem bar

10. Fascia support

2. Bracket cover

5. Tube

8. End cap hem bar

11. Fabric

3. Operating clutch

6. Mounting spline

9. Optional fascia

12. Ball Chain