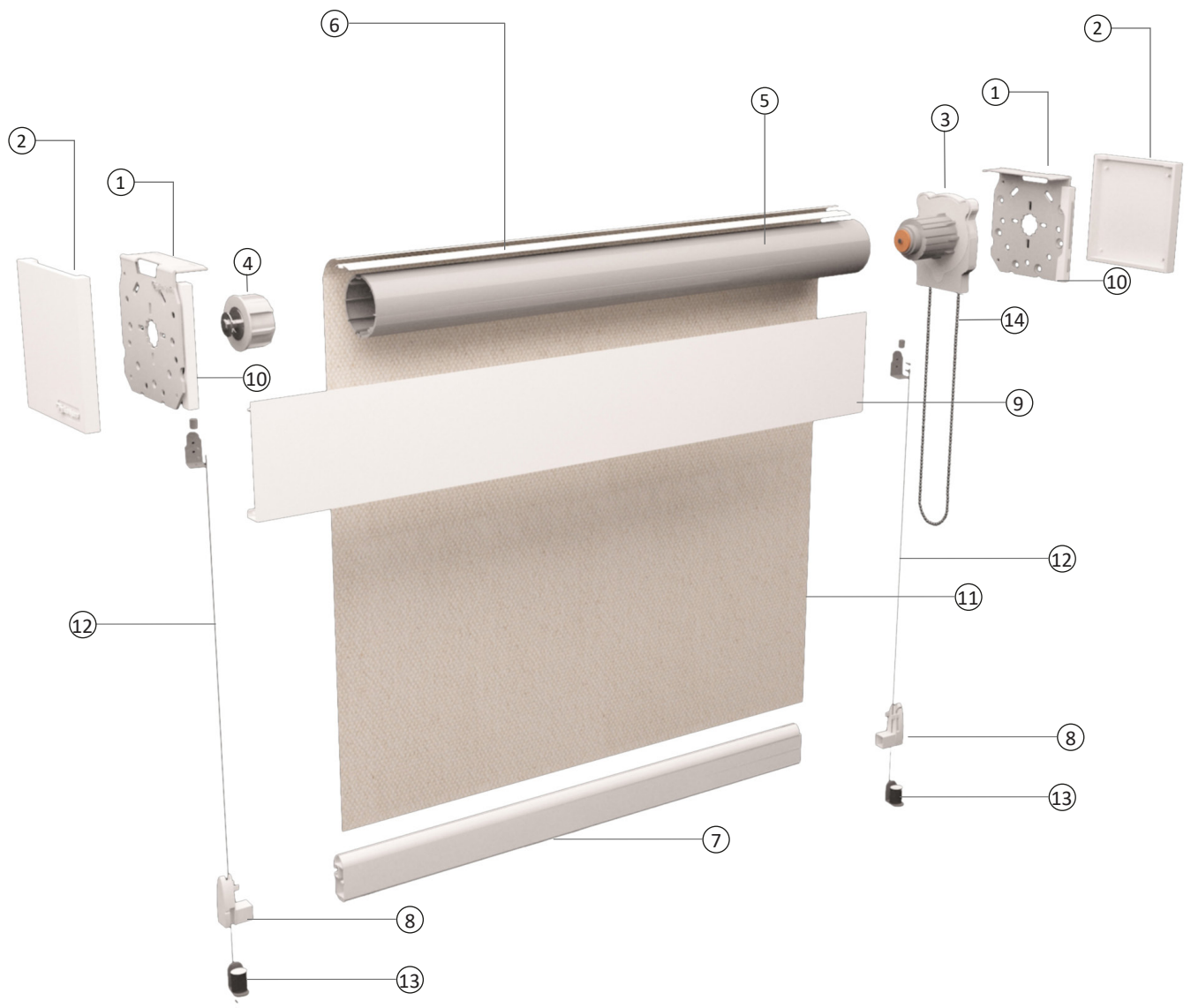


Salire® S-100 GW

Roller shade system with guide wire

Key Features :

- 4:1 ratio chain mechanism for easy operation on large Shades
- The guide wire will stabilize the roller Shade
- Built in auto stop mechanism for upper and lower limit setting
- Robust anti-deflection duty 1.85 inch diameter tube
- Aesthetic end cap
- Aesthetic aluminum fascia available as an option
- Face, top or wall fixing options
- Additional weighting by steel profile is possible (Only with exposed bottom bar)



- 1. Mounting brackets
- 2. Bracket cover
- 3. Operating clutch
- 4. End plug

- 5. Tube
- 6. Mounting spline
- 7. Hem bar
- 8. End cap hem bar

- 9. Optional fascia
- 10. Fascia support
- 11. Fabric
- 12. Guide wire

- 13. Holder guide wire
- 14. Ball chain