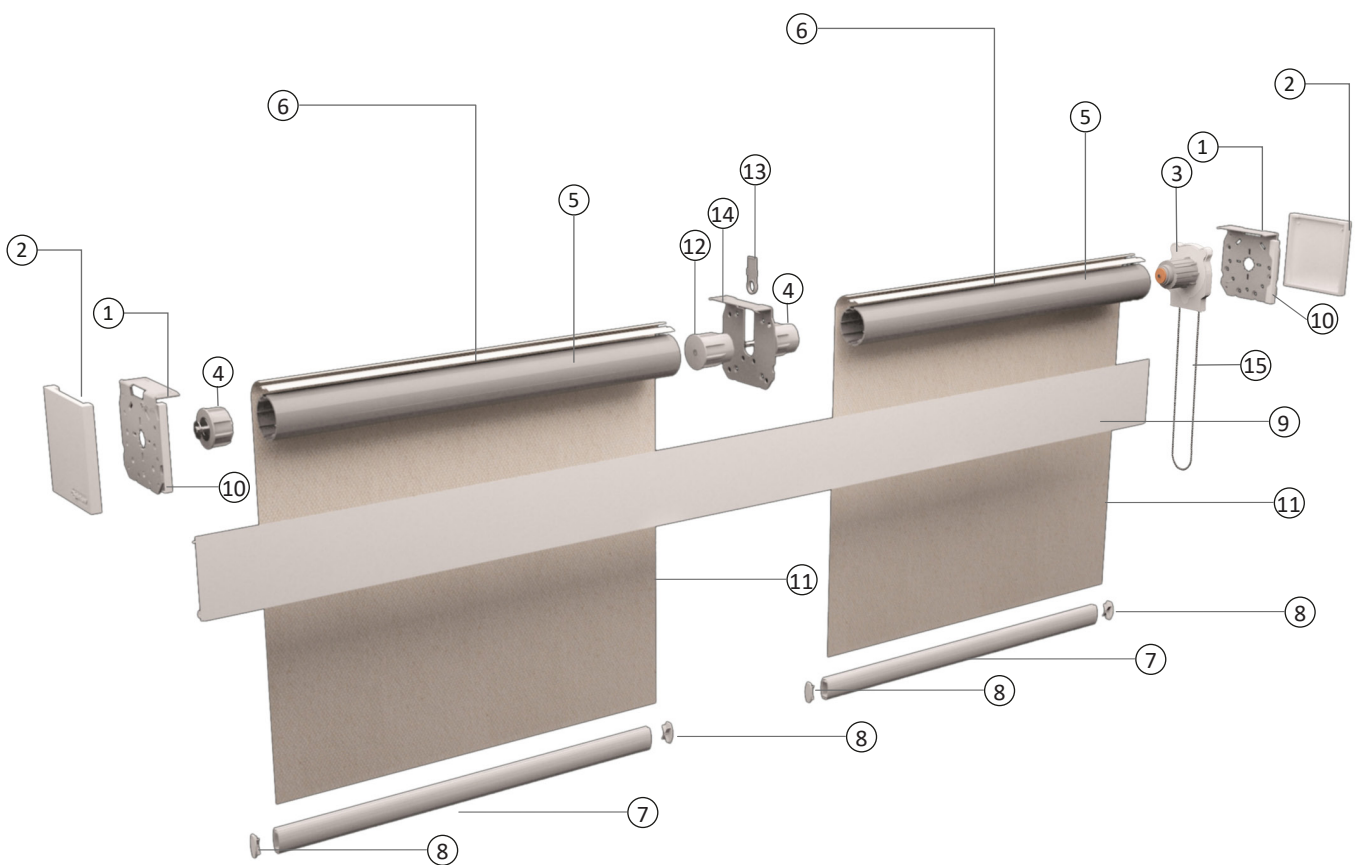


## Salire® S-100 MB

Multi band roller shade system

### Key Features :

- 4:1 ratio chain mechanism for easy operation on large Shades
- Up to 9 m<sup>2</sup> multi band operation with a single mechanism (max fabrics weight 8 kg)
- Built in auto stop mechanism for upper and lower limit setting
- Robust anti-deflection 1.85 inch diameter tube
- Aesthetic end caps
- Aesthetic aluminum fascia available as an option
- Face, top or wall fixing options
- Additional weighting by steel profile is possible (Only with exposed bottom bar)



1. Mounting brackets  
2. Bracket cover  
3. Operating clutch  
4. End plug

5. Tube  
6. Mounting spline  
7. Hem bar  
8. End cap hem bar

9. Optional fascia  
10. Fascia support  
11. Fabric  
12. Center end plug

13. Bearing plug  
14. Center support bracket  
15. Ball chain