 **Euro Systems**[®] USALLC

Solange[®] 600

Technical Brochure



info@eurosystemsusa.com

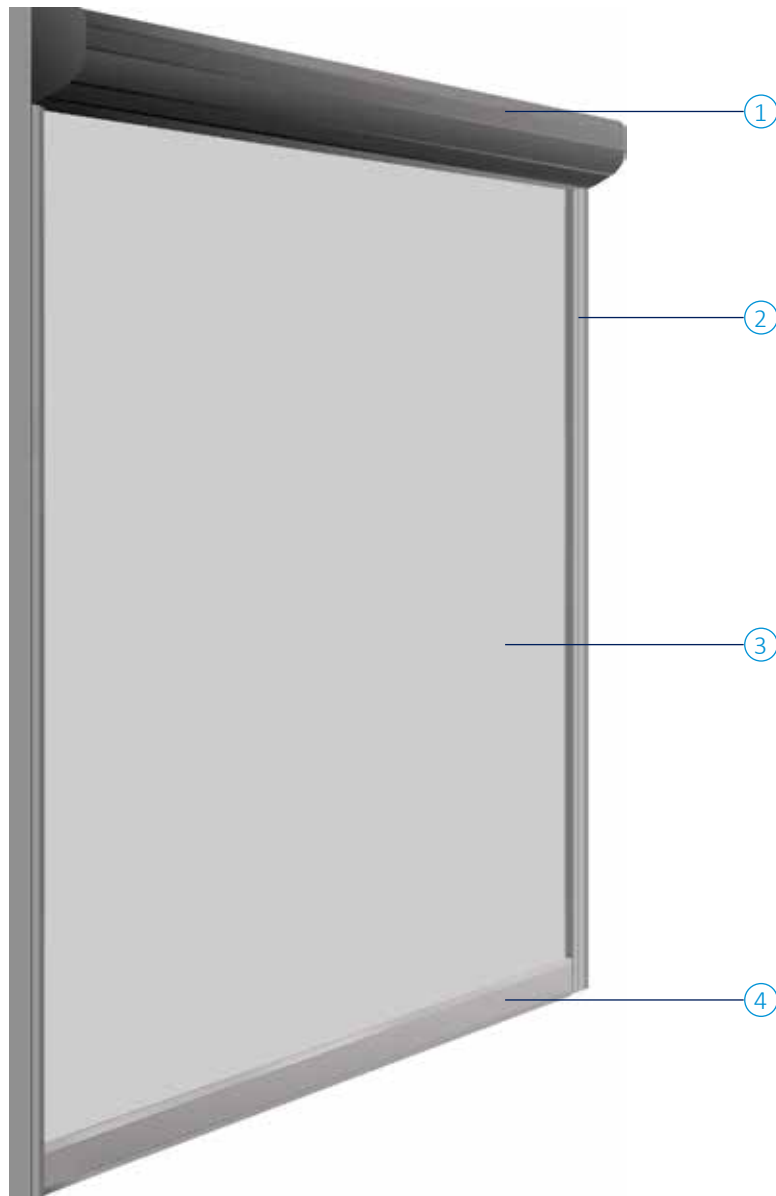


www.eurosystemsusa.com

Solange[®] 600 Tensioned Blind System Sidelock Fabric Retention Mechanism System

Key Features:

- (1). Rail-guided tensioned fabric system with sidelock fabric retention
- (2). Internal or External application
- (3). Horizontal and Sloping glazing applications
- (4). Suitable for sun shading and blackout applications
- (5). No light gaps or insect ingress
- (6). Top-down or Bottom-up fabric deployment and installation



1. Shade Cassette Assembly 2. Guide Rail Assembly 3. Shade Fabric 4. Hembar

Solange® 600 Tensioned Blind System

Technical Datasheet

System dimensions:	
Maximum width	118.11 Inch
Maximum draw	118.11 Inch
Maximum Fabric Area:	13950Inch ²
Minimum Width (Standard WT motor)	25.5906 Inch
Minimum Width (Radio RTS motor)	25.5906 Inch
System weight:	
118.11 Inch x 118.11 Inch, external, blackout fabric	34kg
118.11 Inch x 118.11 Inch, internal, screen fabric	32kg
Motor	
Motor Type	Wired or Radio Frequency (RF)
Voltage	230 V AC 50 Hz
Limit Switch Unit (standard):	Progressive
Motor Torque	9.0 Nm
Motor Speed:	12 rpm
Temperature Range:	0-60 C°



Solange 600 side guide with return pulley and tension cable.



Solange 600 bracket including diverting pulley.



Solange 600 return pulleys

Material Specifications:

- Ø 74 mm aluminium fabric roller incorporating both the motor and tension spring.
- Extruded aluminium hem bar fitted with a rubber sealing strip.
- Nylon-coated steel tension cable to deploy and retract the blind by means of two cable spools, one on either end of the fabric roller.
- Aluminium head box and aluminium guide rails with internal internal SideLock for fabric retention including return pulleys.

Material Finishes:

- All visible aluminium components have a polyester powder finish with 30% gloss. Solange 600 bracket including diverting pulley. Solange 600 side guide with return pulley and tension cable.
- Standard color finish RAL 9016.
- Other RAL colors available upon request.
- Other metal parts are made of stainless steel.

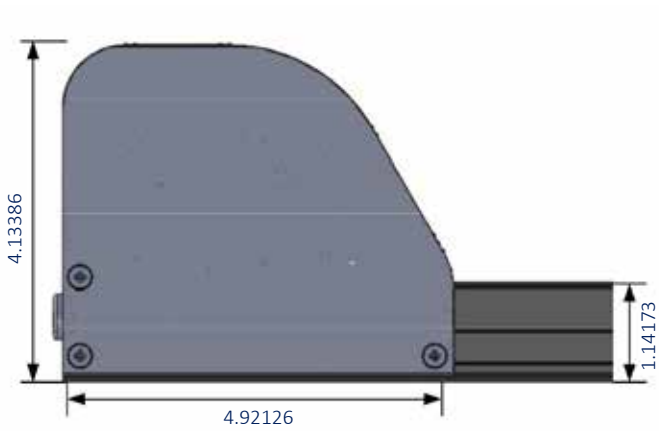
Installation:

- Solange 600 is supplied as a complete kit with the fabric pre-fitted onto the roller.
- The head box and guides are supplied either as face or side fix versions.

Solange[®] 600 Tensioned Blind System

System Installation

Front | Face fixing



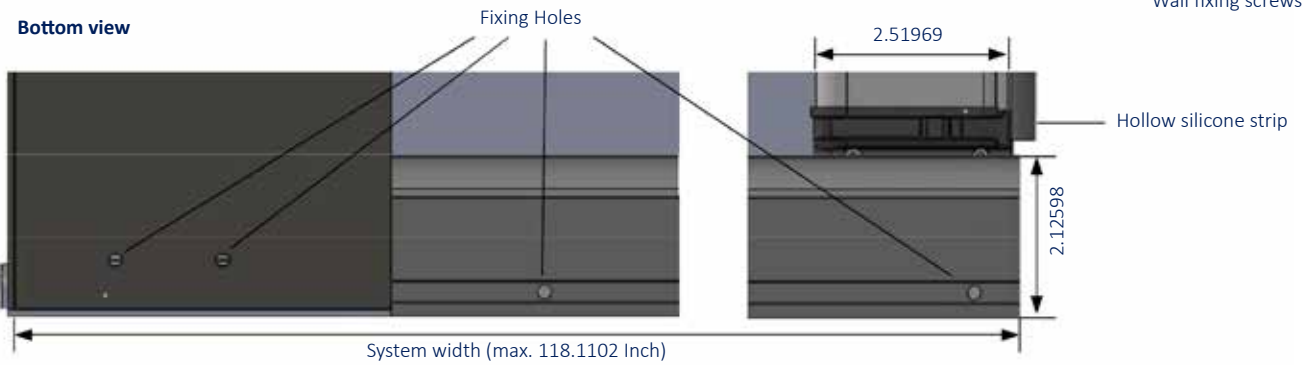
Back view

System width (min. 25.5906 Inch, max. 118.1102 Inch)

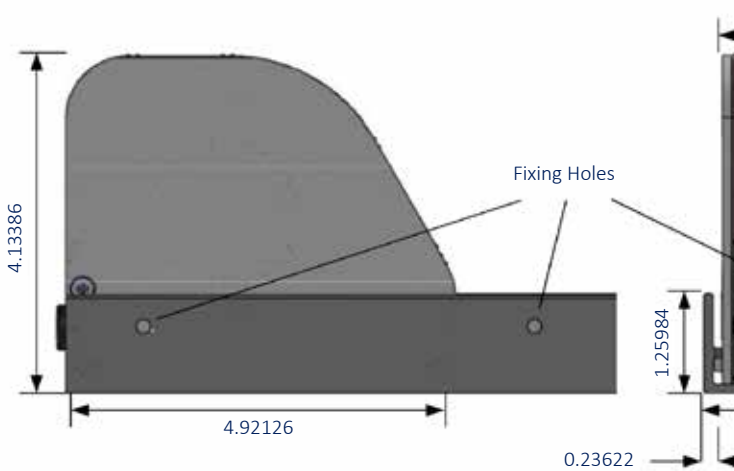


Wall fixing screws

Bottom view

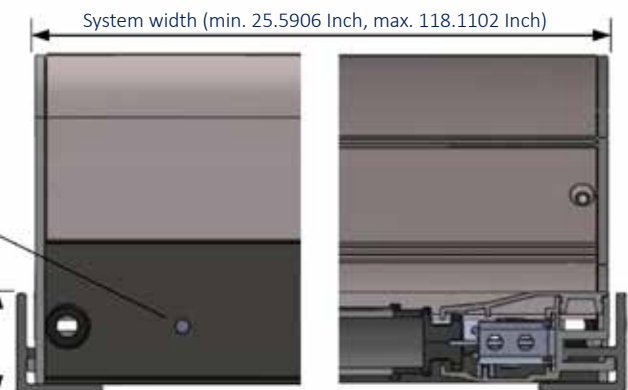


Side | Reveal fixing



Back view

System width (min. 25.5906 Inch, max. 118.1102 Inch)



Fixing / reveal width (=system width + 0.472441 Inch)

Bottom view

